

NATURNEST

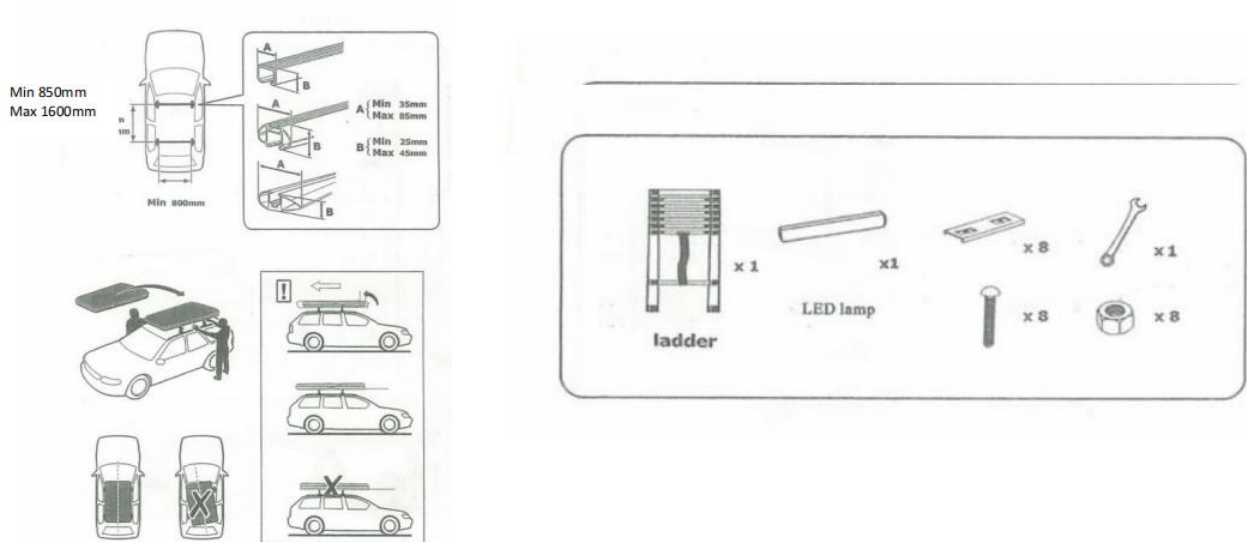
INSTALLATION GUIDE  
ROOFTOP TENT

## Instructions

### MOUNTING THE ROOF TENT ON YOUR VEHICLE.

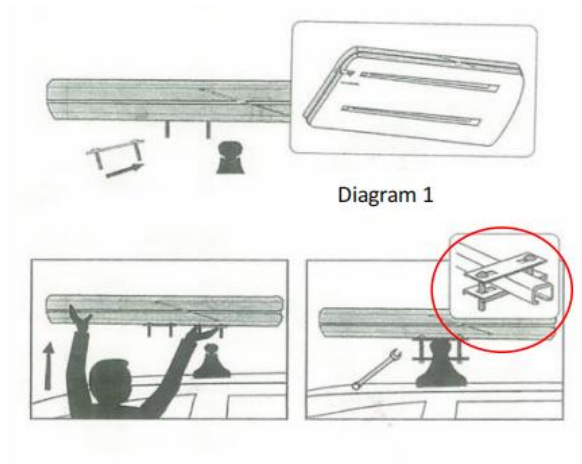
1. Check the roof load limit of the vehicle the tent is being installed to.
2. Roof load dynamic and static limit can be found in the vehicles owner's manual or ask the manufacturer of the vehicle.
3. DO NOT exceed the dynamic and static load limit of your vehicle.
4. DO NOT attempt to lift more than 20kgs per one person. If this means using 4-6 people to lift a tent, then do so. Improper lifting could result in injury. Seek proper lifting advice from a trained professional if unsure.
5. Ensure roof racks, flat racks or other items the tent is being mounted to can handle the weight of the tent.
6. The minimum span between mounting points is 850mm.
7. The maximum span between mounting points is 1600mm apart.

### Accessories and Tools



(Before installation, please **confirm** whether the accessories and tools are complete.)

- It is imperative that 4 x cup head bolts are inserted through the plates provided as per diagram 1.



- Remaining 4 x plates to be used to clamp around load rated bars.
- Apply anti seize paste to these stainless-steel bolts.
- Tighten nuts with supplied spanner until plates start to bend slightly.

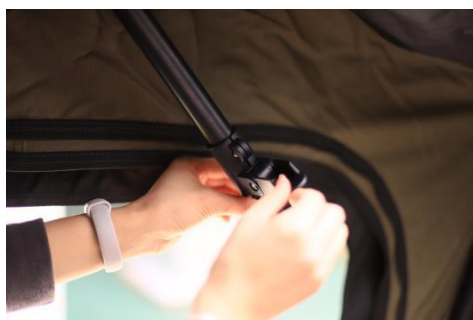
#### **Installation of support poles:**

**( Before installing the support poles, please make sure the tent is unfolded. )**

- Find the black support poles on both sides of the inside of the tent, lift them up to pull them out, and then rotate them to the opposite direction.



- Open the lock so that the support rod can be freely retracted and extended to the appropriate length.



3. Find the U-shaped pole of the tent and buckle the support pole on the corner of the U-shaped pole.



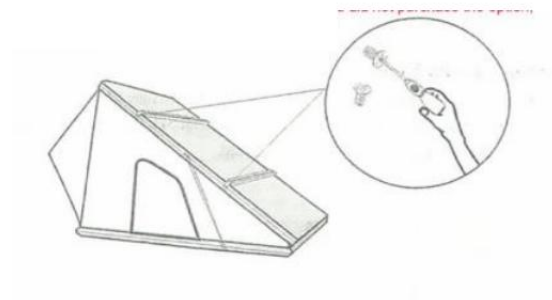
4. After buckling, push the lock on the strut downward to ensure it is secure.



**Caution:** Before closing the tent, please remember to loosen the fixing device of the support pole first, then gently retract the pole and fasten the lock, then rotate it in the opposite direction and buckle it back to the inside of the tent to ensure that the tent will not be damaged when folded.

### **Installation of Roof Racks:**

1. Unpack box labelled “Roof Racks”.
2. Insert Phillips head bolt through roof rack and bracket.
3. Tighten with spanner and Philips head screwdriver.
4. Insert channel nuts into top channel of tent x 8 .
5. With supplied bolts secure roof racks to tent with supplied Allen key.
6. Maximum roof rack capacity is 30kg’s combined.



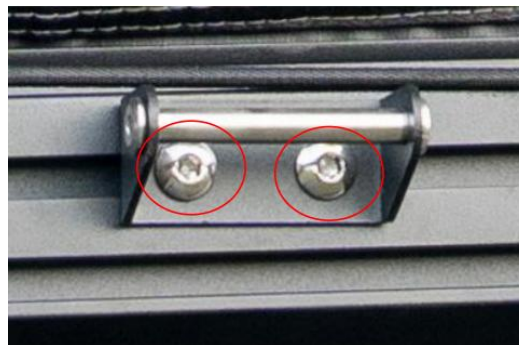
### **Installation of 12v accessory pack:**

1. 12v accessory pack is pre installed in tent.
2. Andersen plug is located on base of the tent.
3. Plug to be connected to power source only by an auto electrician.
4. Ensure all connections are fused at power source.
5. Ensure cable protection is used.



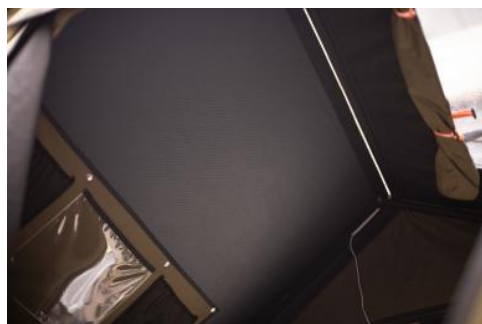
### **If latches are loose:**

1. When you receive your tent all items are enclosed therefore latches can be loose
2. Loosen these 2 x Allen key bolts and move catch down up to 7mm
3. Latch will now be firm and “snap” shut.



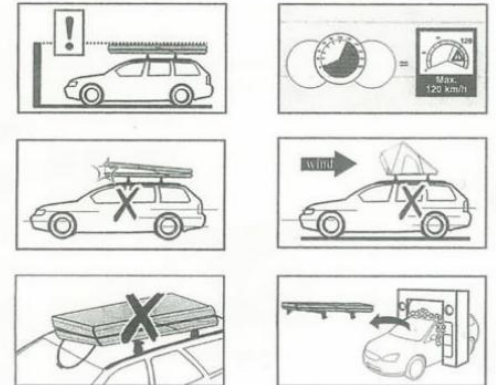
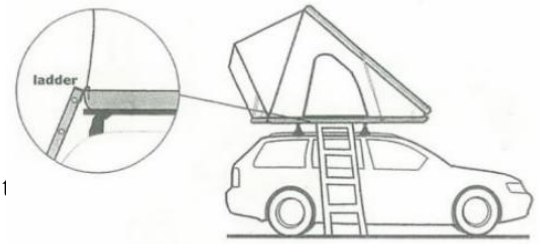
### **Internal Strip light:**

1. Plug in once for dim light into either power bank or internal power source
2. Plug in twice for brighter light.



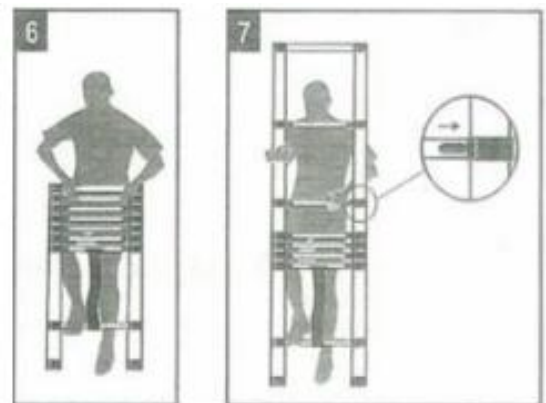
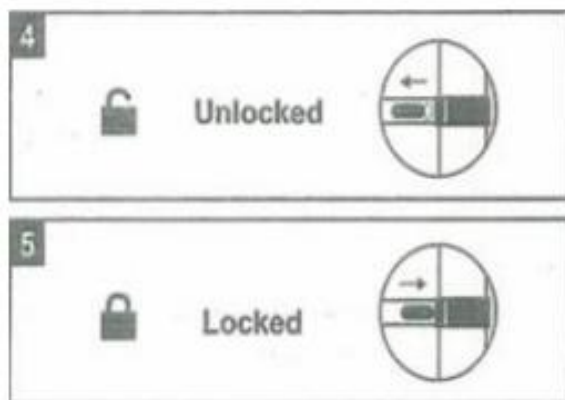
## How to use your Telescopic Ladder

- Remove Ladder from its carry bag
- Inspect for any damage prior to use
- Ensure the Safe load limit of 150kg will not be exceeded
- Fully extend the Ladder and then hook it onto the catches on the tent
- Ensure the Ladder feet are on flat and solid ground
- Ensure the Ladder rungs are free of any debris like mud or sand
- The angle of the Ladder should not exceed 75 degrees whilst in use
- Ensure all rungs are locked in place
- Don't climb Ladder whilst intoxicated
- Always maintain 3 points of contact with the Ladder
- For use with Rooftop Tent only
- Wear suitable footwear



## How to Pack away your Telescopic Ladder

- Unhook the Ladder from the Tent
- Each rung has 2 locking tabs on each end, Push them towards the Centre of the ladder and it will begin to retract
- Once fully retracted secure the Velcro strap around the ladder
- Place Ladder back in its carry bag and store in a safe and dry place



**Caution:** Always check that all buttons are in the “Locked” position before climbing on the ladder.

## **TIPS TRICKS AND MAINTENANCE**

1. If tent is packed up wet, please open after use and fully dry out before storing away.
2. Sleep with all windows  $\frac{1}{4}$  open to promote air circulation.
3. Open tent when not in use every month to allow it to breath and air out.
4. Only wash with PH neutral car wash.
5. Wash down stainless steel fixing after tent is exposed to salty air.
6. Apply rust protectant spray to stainless steel components.
7. Regularly check all fixings to ensure fixings remain tight.
8. Carry supplied spanner in car to regularly check mounting fixings especially after being off road.
9. Do not leave any canvas between seal when closing.