



ANDROMEDA KHAKI INSTALLATION INSTRUCTIONS

INSTALLATION MANUAL

Congratulations on your purchase of a Roof Top Tent! We strive to provide the ultimate camping experience for every camper. Your high-quality, durable roof top tent mounts directly to your roof rack or aftermarket roof bars. The tent opens and is fully set up in just a few minutes and can easily be left on your vehicle year-round.

Your roof top tent is made with the most durable materials that will stand up to the most extreme conditions. We use high-quality rip stop fabrics with a superior ventilated coating that provides excellent water and wind protection while being more breathable than other tent brands on the market.

Most of your Roof Top Tent components have been fully assembled at the factory, with the exception of attaching the mounting channels and the ladder to the base of the tent. Tent setup consists of unpacking, attaching the mounting channels to the base of the tent, attaching the ladder, putting on the tent cover, and then mounting your Roof Top Tent onto your roof rack or aftermarket roof bars. Should you have any questions, please contact customer service.

WARNING

Improper installation or use of your tent may result in serious injury or death. you will need to follow these installation instructions carefully to ensure proper installation on your vehicle and safe use of your tent. Please check with your vehicle manufacture for specified loading capacity of your roof rack, Not all factory roof racks or aftermarket roof bars can safely accommodate Tent models.

Table of Contents

Hardware Identification Chart.	2
Tent Orientation on Your Vehicle.	2
Aftaching Mounting channels.	2
Attaching Ladder.	2
Placement of Roof top Tent onto your Roof Rack Bars	2
Cover Attachment	2
Tent Sefup	2
Vestibule Affachment Instructionshi	2
Storage and Handling	2
Limited Warranty	2

Hardware Identification Chart



Tent Orientation on your Vehicle

There are two mounting options for your new tent. One option is to open the tent so that the ladder extends from the rear of the vehicle, referred to as "Rear Mounted"; the other option is for the ladder to extend from the side of the vehicle, referred to as "Side Mounted".



Side Mounted

Both orientations are suitable for larger vehicles, but most sedans or small SUVs are better suited for side mounting.

Advantages of rear mounted orientation:

1. Suitable for tight camping spaces.
2. Allows you to access the trunk or tailgate area at the rear of the vehicle from inside the vestibule (Autana models only).

Advantages of side mounted orientation:

1. Bicycle racks and other trailer/tow accessories can be mounted without interfering with the operation of the tent.
2. The width of the tent when retracted fits the roof dimensions of most cars and SUVs, i.e. the base of the tent does not extend beyond the roof-line when retracted.

The Kukenam is square, so the mounting slots will fit the fly in either direction. If the Autana is to be side-mounted, the mounting slots must be cut to match the width of the tent floor. We will discuss this in more detail in the next section.

Tent Orientation on your Vehicle

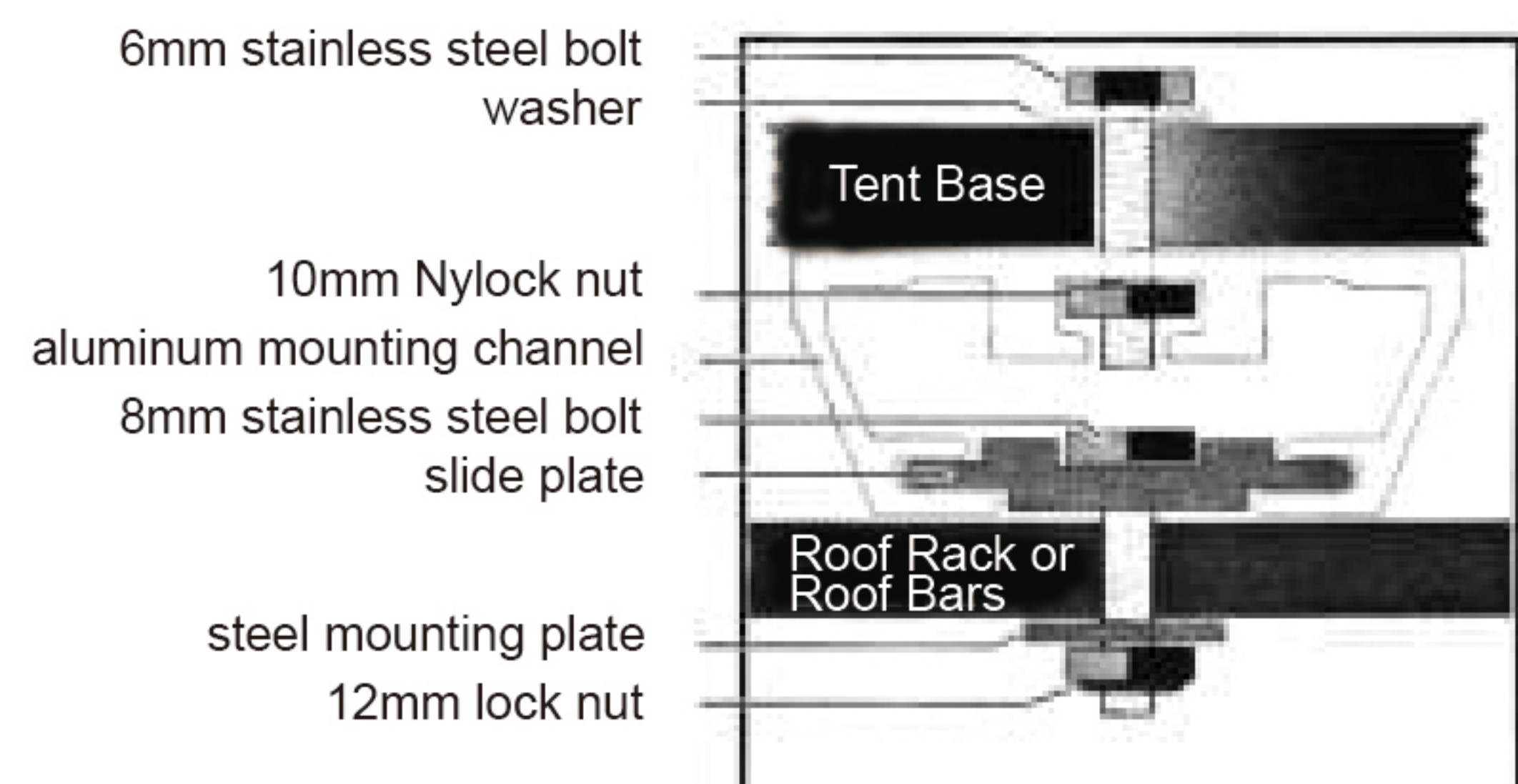
Remove the tent from the box, place it on a clean surface, and look at the top. If there are four holes in the center of the base, this is the side where the mounting slots are installed, otherwise you are looking at the surface where the ladder will be mounted. Open the opening to access the interior and remove the contents.



After removing the contents of the tent, close the tent with the access mounting side facing up (there are 4 holes on the side).

Using the 4 6mm bolts and 6mm washers supplied, reach between the base and mattress and insert the bolts and washers into the pre-drilled holes (it may be necessary to poke holes in the tape to insert the bolts).

Place the mounting slots over the exposed bolts. For side mounting, make sure the mounting slots are perpendicular to the hinge side; for back mounting, make sure the mounting slots are parallel to the hinge side. Slide the 10 mm nylon locknut into the inner slot in the center of the mounting slot until it aligns with the bolt through the base. Tighten the bolt securely from underneath using the supplied 10mm wrench.



Hinge Side

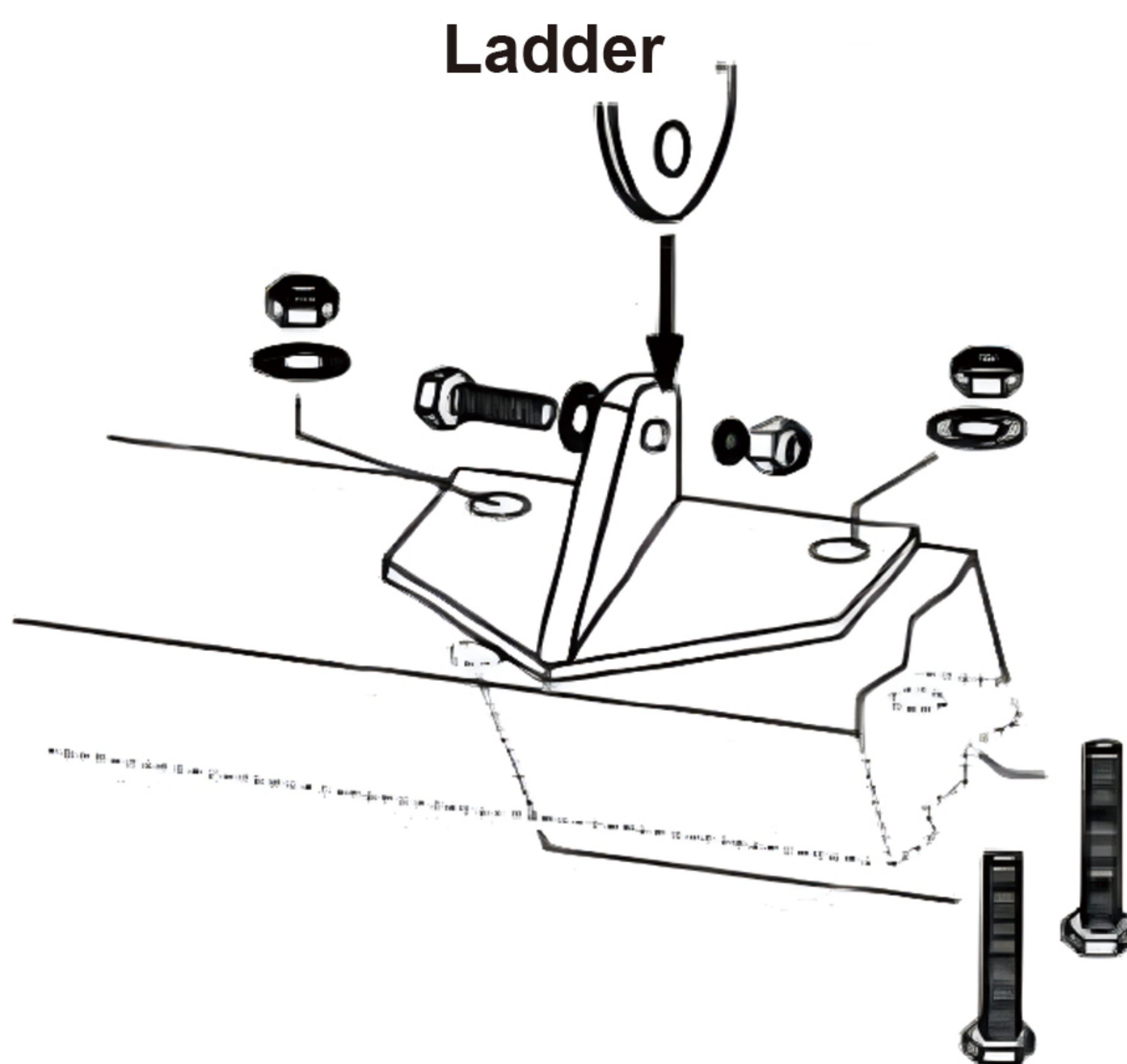
Autana models only

If you choose the side mounting option on the Autana model, you will find that the mounting slots extend beyond the edge of the footprint, you will need to mark where each slot extends beyond the tent footprint and then cut the mounting slots to match the tent footprint.

Attaching Ladder

Flip the tent over, locate the pre-drilled holes on the edge of the base, and secure the ladder brackets to the base with 6mm bolts, washers, and lock nuts.

After installing the two ladder brackets, place the ladder between the two brackets and secure the ladder brackets on both sides to the ladder brackets with 6mm bolts, washers, and nylon locknuts as shown.

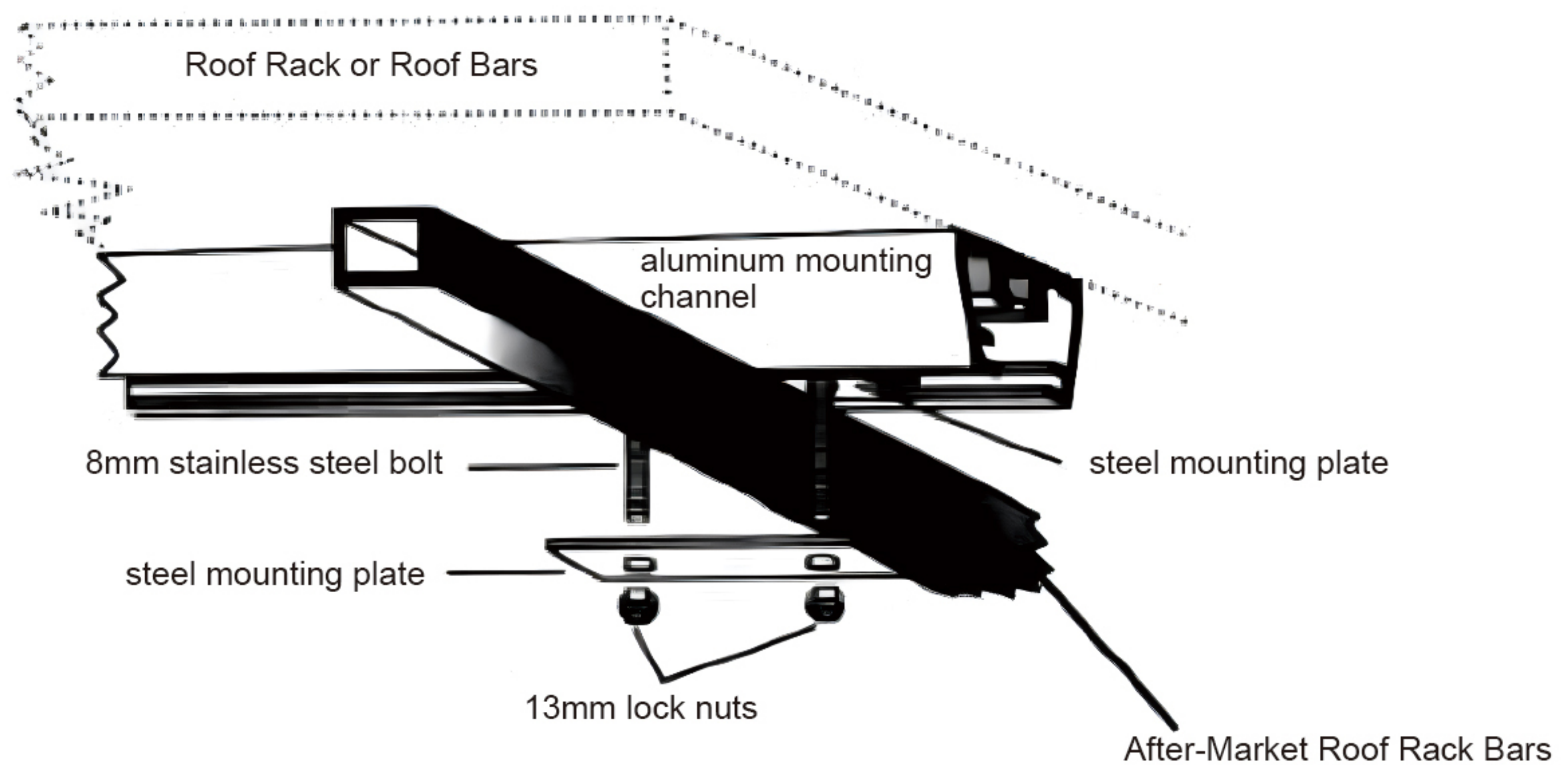


Placement of Tent onto your Roof Rack Bars

Place the tent on the roof rack system.

Insert the 13mm bolts into the skid plate. Slide the skid plate and bolts into the mounting slots. You will need to lift the side of the tent so that one of the 8mm bolts is on the inside of the roof rack pole.

Check the position of the tent to ensure it is centered on the roof rack and open the tent to the desired side.



Attach the roof tent to the roof rack at the four points where the roof rack and mounting channels intersect. Tighten all eight bolts securely. Periodically check all mounting bolts and brackets to ensure they are securely attached to the base and roof rack or aftermarket roof bars. After making sure the tent is properly positioned and all eight bolts are securely tightened, insert the rubber end caps into the ends of the mounting slots (this may require a light tap with a hammer).

Cover Attachment

To attach the Travel Tent Cover, slide the rounded fabric end of the tent cover into the rounded receiver slot on the hinged side of the tent base, making sure that the outside of the tent cover is facing up when pulling it onto the tent. The other three sides of the tent cover can be zippered onto the tent base, and there are two additional straps to help secure the travel cover to the tent.



Tent Setup

1) Release the hold down Velcro straps at the side of the tent.



2) Remove the travel cover from the tent by unzipping around the 3 edges and roll the cover up.



3) Release the hold down Velcro straps at the side of the tent that are under the travel cover.



Tent Setup

4) Slide the ladder out starting at the base of the ladder until the locking pins in each section engage. Use ladder as a lever to open the tent.



5) Keep the ladder firmly on the ground. The base of the tent should be level with the ground and the ladder should be placed firmly on the ground at an angle of 60° to the ground.

6) If you need to adjust the height of the telescoping ladder, start at the top section and release the locking lever. Slide the ladder upwards so that the uppermost section is fully retracted into the section below and repeat this step for each section of the ladder you wish to shorten. Make sure that a 60° angle is maintained between the floor and the ladder at all times and that the remaining sections are fully locked when adjusting the height of the ladder as described above.



7) Climb the ladder and enter the tent. Loosen the elastic cord on the side of the tent. Retrieve the steel tie rods, which are used to attach the awning and rain cover (if your vehicle is taller, you may need a step stool for this function). Insert the steel tie rod hooks through the grommets on the awning or rain cover, then insert the other end through the grommets on the lower part of the underskirt and into the holes in the bottom of the tent. This may require bending the tie rod slightly to line up with the hole in the base. Repeat this process for the two holes in the awning and the two holes at each end of the rain fly.



AUTANA MODELS ONLY - Tent with vestibule and canopy entrance. Further instructions are given below.

Vestibule Attachment Instructions

AUTANA MODELS ONLY

Autana models come with vestibule and tent entrances. The canopy entrance can be extended by removing the U-shaped canopy support poles from inside the tent and inserting them into the receiver tubes on either side of the tent base. Once the canopy support poles are installed, extend the canopy over the poles and pull down to the ground. The ropes on the sides of the canopy can be securely fastened to the ground.



Storage and Handling

When you return from each camping trip, you should wash and dry your tent, as well as occasionally wash your mattress and tent cover (air dry only). The steps are as follows:

1. Open the tent completely and remove any dirt from the tent with a brush or vacuum cleaner.
2. Clean the fabric with warm water and neutral detergent and a soft bristle brush as needed.
3. Rinse the detergent from the fabric before drying.
4. The tent must be completely dry before storing or it may become moldy, especially after camping in rainy or humid conditions.
5. Remove any dirt from the zippers with a small brush and use a silicone spray to keep the zippers lubricated.

Limited Warranty

What is Covered

Roof Top tents warrants to the original purchaser that its products will be free from defects in material and workmanship for the stated period of time, except as follows. The useful life of the product begins on the date of purchase and continues until the product is no longer usable due to normal wear and tear.

What is Not Covered We

Please note that we are not responsible for natural damage to materials that inevitably occurs as a result of prolonged use (e.g., ultraviolet (UV) damage to tents, zipper depletion), or for defects caused by accidents, misuse, modification, animal attack, storm damage, misapplication, or improper care. THERE ARE NO OTHER EXPRESS WARRANTIES BEYOND THE TERMS OF THIS LIMITED WARRANTY. IN NO EVENT SHALL OUR COMPANY BE LIABLE FOR INCIDENTAL OR CONSEQUENTIAL DAMAGES.

Some states do not allow the exclusion or limitation of incidental or consequential damages, so the above limitation or exclusion may not apply to you.

What We Will Do

If an inspection reveals that a product has failed due to a manufacturing or material defect, we will, at our option, repair or replace the product free of charge.

How To Obtain Warranty Service

Return the product to the Roof Top Tents dealer from which it was purchased or contact the Customer Satisfaction Department for a return authorization. Shipments made for collection or without a return authorization will not be accepted.

Repairs

If your canopy product needs to be repaired due to normal wear and tear, animal attack, accident, or any other reason not covered by the warranty, we will provide the necessary service for a reasonable fee, plus shipping and handling. We require that products receiving repairs be properly cleaned in accordance with our recommended care instructions. Please mail us the product or part to be repaired (e.g., tent curtains for tents) along with instructions on the precautions to be taken.

How State Law Relates To This Warranty

This warranty gives you specific legal rights, and you may also have other rights that vary from state to state.

Warranty Term

One year limited warranty on all tent components including base, aluminum poles, ladder, fabric and seams.

DATED: